

# Bike Rack Accessories

<b>OVERVIEW BIKE HOLDERS G2 AND LOCKS</b>	<b>161</b>
---	------------

## BIKE RACK EXTENSION KITS / ACCESSORIES / INSTALLATION SETS

### EXTENSION KITS

Thule Excellent 3rd Rail Kit (ano-black)	162
Thule Excellent   Elite G2 4th Rail Kit (ano-black)	162
Thule Elite G2 3rd Rail Kit	163
Thule Sport G2 3rd Rail Kit	164
Thule Sport G2 Garage 4th Rail Kit	164
Thule Essential 3rd Rail Kit	165
Thule Caravan Superb 3rd Rail Kit	165
Thule Caravan Superb XT 3rd Rail Kit (black)	166
Thule Lift V16 3rd Rail Kit	166
 Thule WanderWay 3rd Rail Kit	167
 Thule WanderWay 4th Rail Kit	167
Thule Elite G1 3rd Rail Kit	168
Thule Elite G1 4th Rail Kit	168
Thule Sport G1 3rd Rail Kit	169
Thule Sport G1 Garage 4th Rail Kit	169
Thule Sport Caravan Comfort 3rd Rail Kit	170
Thule Lift 3rd Rail Kit	170

### ACCESSORIES

Thule Bike Holders with AcuTight Knob - Anodised	171
Thule Bike Holders with AcuTight Knob - Black	172
Thule Bike Holders Thule Sport / Thule Elite	173
Thule Knob for Bike Holder with Lock + Key	174
Thule AcuTight Knob	174
Thule Bike Frame Adapter	175
Thule Brake Straps	175
Thule E-bike Rail for Thule Sport G2	176
Thule Bike Cover	177
Thule Cable Lock	177
Thule Strap Lock	178
Thule Wheel Adapter	178
Thule Rear Warning Sign	179

INSTALLATION SETS	
Overview	180
Thule Top Mounting Rail	181
Thule Bottom Mounting Rail	181
Thule Bottom Mounting Rail for Blind Mounting	182
Thule Cover for Mounting Rail	182
Thule Bike Rack Lift Adapter for Bottom Mounting Rail	183
Thule Mounting Rail for Caravan Rail	183
Thule Bike Rack Adapter Hymer Top Brackets	184
Thule Bike Rack Adapter for Curved Walls	184
Thule Lift V16 Elongation Kit	185
Thule Lift Elongation Kit	185
Thule Bike Rack Adapter for Dethleffs, Carado & Sunlight	186
Thule Adapter 4 Point Fixation Fiamma	187
Thule XL U-bolts for A-frame bike racks	187
Thule Eriba Bracket	188
Thule Rail Support Bracket for Hobby Caravan Rail <2003	188
Thule Bike Rack Adapter for Hobby 2014 caravans	189
Thule Bike Rack Adapter for Hobby 2015 caravans	190
Thule Small Wall Hooks for Thule Sport	191
Thule Blocking Hook for Thule Sport / Thule Elite	191

<b>THULE EXCELLENT</b>	<b>In the package</b>	<b>Thule Excellent 3rd Rail Kit</b>	<b>Thule Excellent 4th Rail Kit</b>
Standard (anodised) - 309821 Standard (black) - 302033 Short (anodised) - 309822	Bike rack for 4 bikes, equipped for 2 bikes Bikes on position 2 & 3 2 bike holders with identical locks One key to operate 2 lockable bike holders	<b>309823 (anodised) / 302034 (black)</b> 3rd bike rail + bike holder with lock Install the extension on position 1 (closest to vehicle)	<b>309824 (anodised) / 302035 (black)</b> 4th bike rail + clip on adapter + double clamp bike holder with lock Install the extension on position 4 (max. 15 kg)
<b>THULE ELITE G2</b>	<b>In the package</b>	<b>Thule Elite G2 3rd Rail Kit</b>	<b>Thule Elite G2 4th Rail Kit</b>
Standard - 306560 Short - 306561	Bike rack for 4 bikes, equipped for 2 bikes Bikes on position 1 & 3 2 bike holders with identical locks One key to operate 2 lockable bike holders	<b>306565</b> 3rd bike rail + bike holder with lock Install the extension on position 2	<b>309824</b> 4th bike rail + clip on adapter + double clamp bike holder with lock Install the extension on position 4 (max. 15 kg)
<b>THULE SPORT G2</b>	<b>In the package</b>	<b>Thule Sport G2 3rd Rail Kit</b>	
Standard - 307126 Short - 307127	Bike rack for 3 bikes, equipped for 2 bikes Bikes on position 1 & 3 2 bike holders without locks  <u>Optional:</u> 526000 - Knob with lock (2 pcs) Change knobs on all bike holders One key to operate 2 lockable bike holders	<b>306577</b> 3rd bike rail + bike holder without lock Install the extension on position 2 3 bike holders without locks  <u>Optional:</u> 527000 - Knob with lock (4 pcs) Change knobs on all bike holders One key to operate 3 lockable bike holders	
<b>THULE ESSENTIAL</b>	<b>In the package</b>	<b>Thule Essential 3rd Rail Kit</b>	
Standard - 309825 Short - 309826	Bike rack for 3 bikes, equipped for 2 bikes Bikes on position 1 & 3 1 bike holder without lock, 1 bike strap and foam bumper  <u>Optional:</u> 306463 - Bike Holder 1 with Lock Change knob with lock from bike holder 1 to bike holder 3  <u>Optional:</u> 526000 - Knob with lock (2 pcs) Change knobs on all bike holders One key to operate 2 lockable bike holders	<b>309827</b> 3rd bike rail + bike holder without lock Install the extension on position 2 2 bike holders without locks, 1 bike strap and foam bumper  <u>Optional:</u> 306463 - Bike Holder 1 with Lock Change knob with lock from bike holder 1 to bike holder 3  <u>Optional:</u> 527000 - Knob with lock (4 pcs) Change knobs on all bike holders One key to operate 3 lockable bike holders	

## Thule Excellent 3rd Rail Kit



### INFO

- Extension kit for the Thule Excellent with rail slider that provides free movement of the rail in all directions
- Easy mounting of the bike through a detachable bike holder with a lockable Thule AcuTight torque limiter knob that clicks when optimal torque is reached
- The wheel straps with pump buckles help you set up the bikes, offering comfortable fastening of the wheels
- Content:
  - 1 rail
  - 1 bike holder

309823	Thule Excellent 3rd Rail Kit - Anodised
302034	Thule Excellent 3rd Rail Kit - Black

## Thule Excellent | Elite G2 4th Rail Kit



### INFO

- Extension kit for the Thule Excellent | Elite G2 bike racks
- The 4th rail is fixed outwards and is not adjustable
- Easy mounting of the bike through a detachable bike holder with a lockable Thule AcuTight torque limiter knob that clicks when optimal torque is reached
- The wheel straps with pump buckles help you set up the bikes, offering comfortable fastening of the wheels
- Maximum loading weight: 15 kg
- Content:
  - 1 rail
  - 1 bike holder

309824	Thule Excellent   Elite G2 4th Rail Kit - Anodised
302035	Thule Excellent 4th Rail Kit - Black

## Thule Elite G2 3rd Rail Kit



### INFO

- Extension kit for the Thule Elite G2 bike rack
- For fixed positioning of a 3rd bike on the vacant location of the rack
- Easy mounting of the bike through a detachable bike holder with a lockable Thule AcuTight torque limiter knob that clicks when optimal torque is reached
- Content:
  - 1 rail
  - 1 bike holder

306565

Thule Elite G2 3rd Rail Kit

## Thule Sport G2 3rd Rail Kit



### INFO

- Extension kit for the Thule Sport G2 bike rack
- For fixed positioning of a 3rd bike on the vacant location of the rack
- Content:
  - 1 rail
  - 1 bike holder

306577

Thule Sport G2 3rd Rail Kit

## Thule Sport G2 Garage 4th Rail Kit



### INFO

- Extension kit for the Thule Sport G2 Garage bike rack
- For fixed position of a 4th bike on the vacant location on the rack
- Content:
  - 1 rail
  - 1 bike holder

306578

Thule Sport G2 Garage 4th Rail Kit

## Thule Essential 3rd Rail Kit



### INFO

- Extension kit for the Thule Essential bike rack
- For fixed positioning of a 3rd bike on the vacant location of the rack
- Content:
  - 1 rail
  - 1 bike holder

309827

Thule Essential 3rd Rail Kit

## Thule Caravan Superb 3rd Rail Kit



### INFO

- Extension kit for the Thule Caravan Superb Standard bike rack
- For fixed positioning of a 3rd bike on the vacant location of the rack
- Easy mounting of the bike through a detachable bike holder with a lockable Thule AcuTight torque limiter knob that clicks when optimal torque is reached
- Content:
  - 2 short rails
  - 1 bike holder

307131

Thule Caravan Superb 3rd Rail Kit

## Thule Caravan Superb XT 3rd Rail Kit Black



### INFO

- Extension kit for the Thule Caravan Superb XT Standard bike rack
- For fixed positioning of a 3rd bike on the vacant location of the rack
- Easy mounting of the bike through a detachable bike holder with a lockable Thule AcuTight torque limiter knob that clicks when optimal torque is reached
- The wheel straps with pump buckles help you set up the bikes, offering comfortable fastening of the wheels
- Content:
  - 2 short rails
  - 1 bike holder

302032

Thule Caravan Superb XT 3rd Rail Kit

## Thule Lift V16 3rd Rail Kit



### INFO

- Extension kit for the Thule Lift V16 bike rack
- For fixed positioning of a 3rd bike on the vacant location of the rack
- Easy mounting of the bike through a detachable bike holder with a lockable Thule AcuTight torque limiter knob that clicks when optimal torque is reached
- The wheel straps with pump buckles help you set up the bikes, offering comfortable fastening of the wheels
- Content:
  - 1 rail
  - 1 bike holder

307370

Thule Lift V16 3rd Rail Kit



## **New** Thule WanderWay 3rd Rail Kit



### INFO

- Extension kit for the Thule WanderWay bike rack
- For fixed positioning of a 3rd bike on the vacant location of the rack
- Easy mounting of the bike through a detachable bike holder with a lockable Thule AcuTight torque limiter knob that clicks when optimal torque is reached
- The wheel straps with pump buckles help you set up the bikes, offering comfortable fastening of the wheels
- Content:
  - 1 rail
  - 1 bike holder

911600	Thule WanderWay 3rd Rail Kit
--------	------------------------------

## **New** Thule WanderWay 4th Rail Kit



### INFO

- Extension kit for the Thule WanderWay bike rack
- For fixed positioning of a 4th bike on the vacant location of the rack
- Easy mounting of the bike through a detachable bike holder with a lockable Thule AcuTight torque limiter knob that clicks when optimal torque is reached
- The wheel straps with pump buckles help you set up the bikes, offering comfortable fastening of the wheels
- Content:
  - 2 short rails
  - 1 bike holder

911700	Thule WanderWay 4th Rail Kit
--------	------------------------------

## Thule Elite G1 3rd Rail Kit



### INFO

- Extension kit for all Thule Elite G1 bike racks with rail slider that provides free movement of the rail in all directions
- Weight: 3 kg
- Content:
  - 1 rail
  - 1 bike holder (28 cm)

308180

Thule Elite G1 3rd Rail Kit

## Thule Elite G1 4th Rail Kit



### INFO

- Extension kit for all Thule Elite G1 bike racks
- For fixed positioning of the 4th bike on the most outward location on the rack
- Weight: 3 kg
- Content:
  - 1 rail
  - 1 bike holder (56 cm)

308181

Thule Elite G1 4th Rail Kit

## Thule Sport G1 3rd Rail Kit



### INFO

- Extension kit for all Thule Sport G1 bike racks
- For fixed positioning of a 3rd bike on the vacant location on the rack
- Weight: 3 kg
- Content:
  - 1 rail
  - 1 bike holder (28 cm)

308179

Thule Sport G1 3rd Rail Kit

## Thule Sport G1 Garage 4th Rail Kit



### INFO

- Extension kit for the Thule Sport G1 Garage bike rack
- For fixed position of a 4th bike on the vacant location on the rack
- Content:
  - 1 rail
  - 1 bike holder

308183

Thule Sport G1 Garage 4th Rail Kit

## Thule Sport Caravan Comfort 3rd Rail Kit



### INFO

- Extension kit for the Thule Sport Caravan Comfort bike rack
- For fixed position of a 3rd bike on the vacant location on the rack
- Content:
  - 2 small rails
  - 1 bike holder (28 cm)

308303

Thule Sport Caravan Comfort 3rd Rail Kit

## Thule Lift 3rd Rail Kit



### INFO

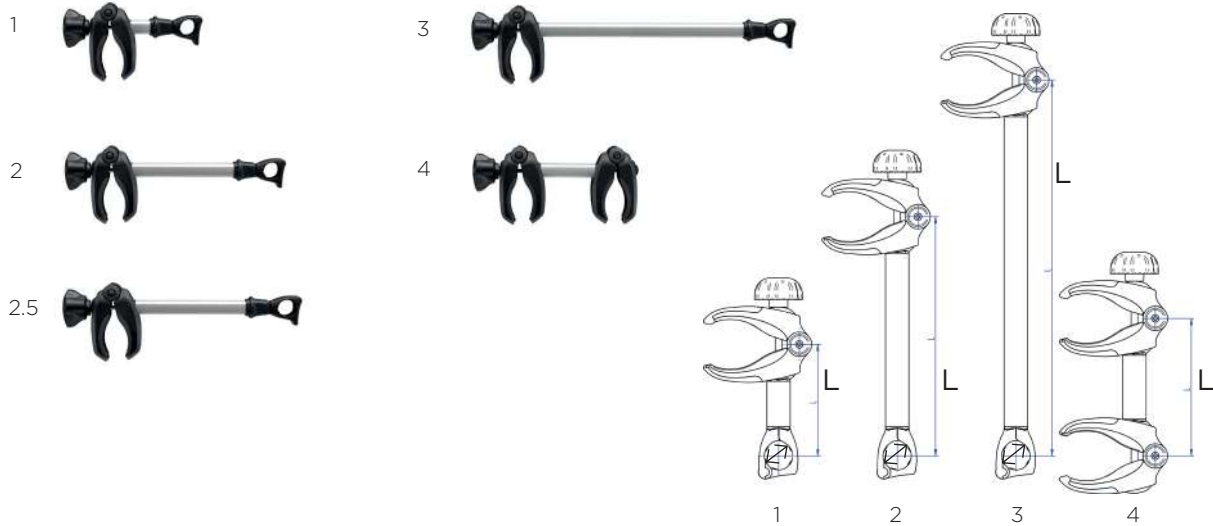
- Extension kit for the Thule Lift bike rack
- For fixed positioning of a 3rd bike on the vacant location of the rack
- Content:
  - 1 rail
  - 1 bike holder

306470

Thule Lift 3rd Rail Kit



# Thule Bike Holders with AcuTight Knob



## INFO

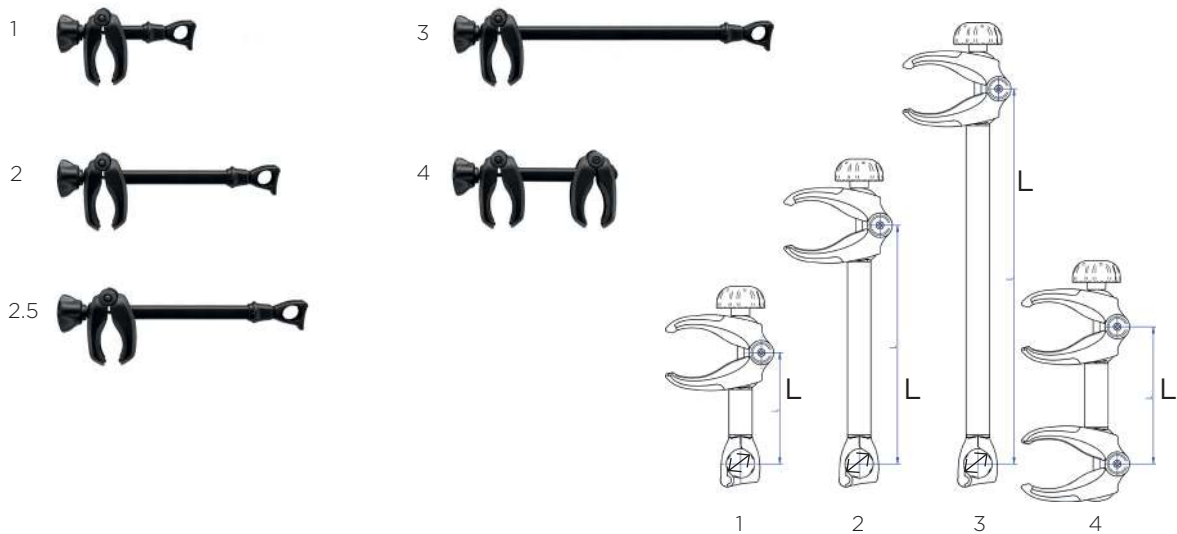
- Easy mounting of bikes through detachable bike holders with Thule AcuTight torque limiter knobs that click when optimal torque is reached
- Thule One Key compatible lock system
- For tube diameter 30mm - see ↗ on the drawing

	Bike Holder 1 L = 122 mm	Bike Holder 2 L = 262 mm	Bike Holder 2.5 L = 300 mm	Bike Holder 3 L = 412 mm	Bike Holder 4 L = 150 mm
Thule Lift V16 Manual	included	optional	-	included	-
Thule Lift V16 Motorised	included	optional	-	included	-
Thule Excellent Standard	optional	included	-	included	optional
Thule Excellent Short	optional	included	-	included	optional
Thule Elite G2 Standard	included	optional	-	included	optional
Thule Elite G2 Short	included	optional	-	included	optional
Thule Elite G2 One Bike	included	-	-	-	-
Thule Elite G2 HH	included	optional	-	included	optional
Thule Caravan Superb Standard	included	optional	-	included	-
Thule Caravan Superb Short V16	included	-	included	-	-
Thule Caravan Smart	included	included	-	-	-
Thule Elite Van XT	included	-	included	-	-

302520	Thule Bike Holder 1 with AcuTight Knob
302521	Thule Bike Holder 2 with AcuTight Knob
302522	Thule Bike Holder 2.5 with AcuTight Knob
302523	Thule Bike Holder 3 with AcuTight Knob
302524	Thule Bike Holder 4 with AcuTight Knob



# Thule Bike Holders with AcuTight Knob - Black



## INFO

- Easy mounting of bikes through detachable bike arms with Thule AcuTight torque limiter knobs that click when optimal torque is reached
- Completely in black colour
- Thule One Key compatible lock system
- For tube diameter 30 mm - see ↗ on the drawing

	Bike Holder 1 L = 122 mm	Bike Holder 2 L = 262 mm	Bike Holder 2.5 L = 300 mm	Bike Holder 3 L = 412 mm	Bike Holder 4 L = 150 mm
Thule Excellent Standard - Black	optional	included	-	included	optional
Thule Caravan Superb XT Standard - Black	included	-	-	included	-
Thule Caravan Superb XT Short - Black	included	-	included	-	-
Thule Elite Van XT - Black	included	-	included	-	-

302525	Thule Bike Holder 1 with AcuTight Knob - Black
302526	Thule Bike Holder 2 with AcuTight Knob - Black
302527	Thule Bike Holder 2.5 with AcuTight Knob - Black
302528	Thule Bike Holder 3 with AcuTight Knob - Black
302529	Thule Bike Holder 4 with AcuTight Knob - Black

# Thule Bike Holders G1

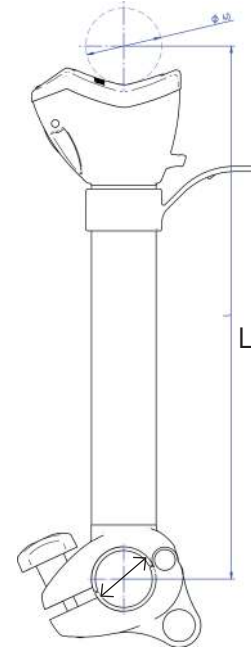
For Thule Sport and Thule Elite bike racks



## INFO

- All bike racks of the Thule G1 range are fitted with these bike holders
- Earlier models can also be fitted with bike holders
- Soft cushions make gentle contact with the bike frame
- The strap is suitable for all frame shapes
- Both ends of the bike holder can be rotated in all directions for simple fastening
- A cable lock can be attached through the eye of the bike holder to prevent theft
- For tube diameter 30mm and 34mm - see ↗ in the drawing on the right

- |                       |           |                |
|-----------------------|-----------|----------------|
| • Thule Bike Holder 1 | L = 14 cm | Weight: 0.3 kg |
| • Thule Bike Holder 2 | L = 28 cm | Weight: 0.4 kg |
| • Thule Bike Holder 3 | L = 42 cm | Weight: 0.4 kg |
| • Thule Bike Holder 4 | L = 56 cm | Weight: 0.5 kg |



308184	Thule Bike Holder 1
308185	Thule Bike Holder 2
308186	Thule Bike Holder 3
308187	Thule Bike Holder 4
308188	Thule Bike Holder 2.5 (for Omnibike Plus)

# Thule Knob for Bike Holder



## INFO

- To lock your bikes on the bike rack
- To replace the knob of standard bike holders without lock
- Lockable with the Thule One-Key System: use one key for all locks
- Content:
  - packs of 2 or 4 knobs with lock and keys

526000	Thule Knob for Bike Holder with lock (2 pcs)
527000	Thule Knob for Bike Holder with lock (4 pcs)

# Thule AcuTight Knob



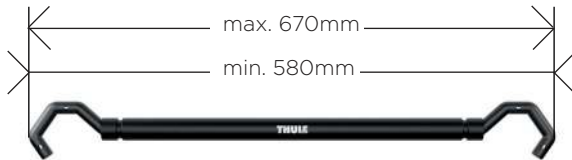
## INFO

- To replace the knob of bike holders without AcuTight knob
- Has a built-in torque limiter that “clicks” when optimal hold is reached indicating correct mounting
- The controlled torque going into the bike frame prevents an under and over tightening of the holder
- Ergonomic soft grips
- Lockable with the Thule One-Key System: use one key for all locks
- Content:
  - 1 knob with AcuTight knob

528000	Thule AcuTight Knob (1 pc)
--------	----------------------------



## Thule Bike Frame Adapter



### INFO

- For easiest possible fitting of bikes with non-standard frames and ladies' bikes
- Suitable for sensitive carbon frames that need extra protection
- Mounts between saddle-post and steering
- Content:
  - 1 frame adapter

982003

Thule Bike Frame Adapter

## Thule Brake Straps



### INFO

- Extra safety for your bike
- Bind around the hand brakes of a bike when transported on a bike rack
- By pulling the brakes, sideways movement is prevented and the bikes are more secured on the rack
- Length of one strap: 46.5 cm
- Content:
  - 1 set = 6 straps

306566

Thule Brake Straps

# Thule E-bike Rail for Sport G2

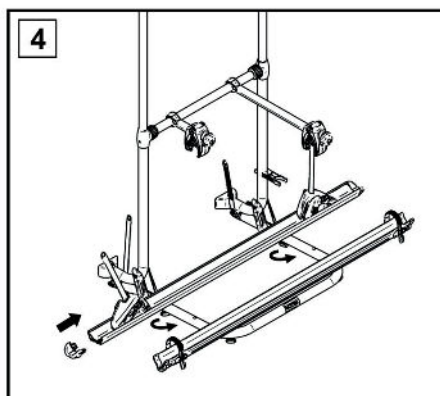
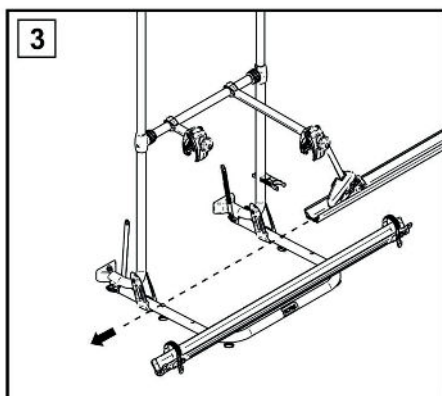
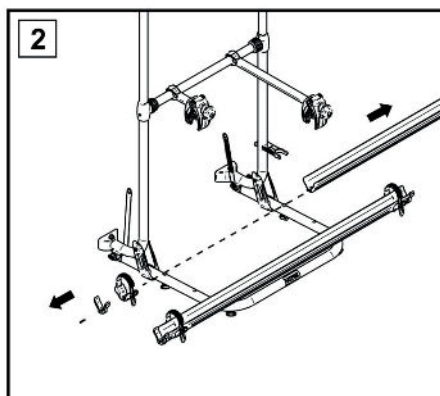
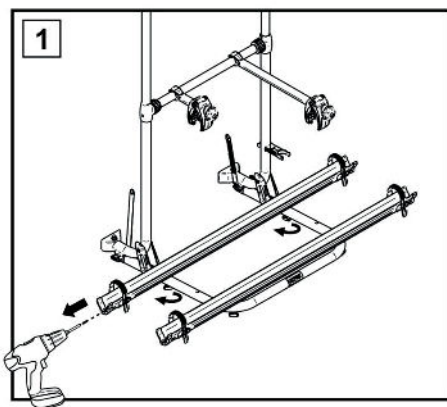


## INFO

- Makes it possible to transport 1 e-bike on a Thule Sport G2 bike rack
- Easy-fit wheel holders (without pump buckle)
- Rail can slide left & right
- Extra long rail for e-bikes with large wheelbase (length of the rail: 1300 mm)

## FEATURES

- Maximum loading weight: 30 kg
- The maximum loading weight of the original bike rack cannot be exceeded
- The Thule E-bike Rail can only be used:
  - on a rear-mounted Thule bike rack type: Sport G2 Standard + Short, Sport G2 Universal, Sport G2 Hobby, Sport G2 Tour, Essential
  - to replace an existing Sport G2 V-rail
  - on the position closest to the vehicle
  - in combination with a Thule G2 bike holder



306945

Thule E-bike Rail for Sport G2

## Thule Bike Cover



### INFO

- High quality bike cover to protect your bicycles during transportation on a rear-mounted RV bike rack
- Not suitable for bike racks mounted on the A-frame, tow bar or roof top
- Not suitable for Thule bike racks for normal cars
- Integrated transparent sleeve for warning sign (50x50 cm)
- Made out of extra strong Ripstop polyester 210D with PU coating (3000 mm)
- Easy installation and perfect fitting thanks to elastic cords and steel hooks
- Carry bag included for clean and easy storage

307335	Thule Bike Cover - 2/3 bikes (per 15 pcs)
307336	Thule Bike Cover - 4 bikes (per 15 pcs)

## Thule Cable Lock



### INFO

- Strong cable with secure lock
- Coated to avoid damage to your belongings
- Two keys
- Length: 180 cm

538000	Thule Cable Lock
--------	------------------

# Thule Strap Lock



## INFO

- The lightweight aluminium strap buckle has a protective cover to avoid scratches and marks
- The strap contains a highly durable steel core wire which protects against cutting
- With the Thule Strap Lock the bikes are not only extra secured during transport but they are also protected against theft
- It's possible to tighten the strap both when open and locked
- Can also be used for any other purpose when you want to secure other valuable items
- Length: 3.00 m
- Net weight: 0.390 kg
- Gross weight: 0.450 kg (incl. packaging)

307389	Thule Strap Lock (per 20 pcs)
--------	-------------------------------

# Thule Wheel Adapter



## INFO

- Special protection for the rims of road bikes and mountain bikes
- Especially recommended for high profile rims and sensitive carbon rims
- Quick and easy to install on the strap of existing wheel holders
- Suitable for straps with maximum width 24 mm and height 5 mm
- Compatible with Thule Lift V16, Thule Excellent, Thule Elite G2, Thule Sport G2, Thule Caravan Superb, Thule Caravan Superb XT, Thule Caravan Smart, Thule Elite Van XT
- Material: rubber
- Color: black
- Content:
  - 1 set = 2 pieces

977200	Thule Wheel Adapter
--------	---------------------

# Thule Rear Warning Sign

## INFO

- Officially approved aluminium rear reflecting panel for protruding loads
- Mandatory in Spain, Italy, Poland and Hungary when transporting bicycles on the back of a caravan or motorhome
- 50 x 50 cm
- Compatible with the Thule Bike Cover (ref.: 307335-307336)
- 4 eyelets for installation without bike cover
- Warning: plastic imitations are not officially approved by law and by insurance companies !

Italian type



- Homologated by Italian authorities (homologation nr. 2606 DEL 13/05/13)
- Suitable for Europe, except for Spain

Spanish type



- Homologated by Spanish authorities (homologation nr. V20.065)
- Suitable for Spain, not for other European countries

307619	Thule Rear Warning Sign - Italian (per 10 pcs)
307337	Thule Rear Warning Sign - Spanish (per 10 pcs)

# Overview - Installation Sets

## Fitting overview bike carriers vs. mounting systems

(\*) Fiamma hook not deep enough and not secured for upward jump  
 (\*\*) Thule pin  $\phi$  6mm, Fiamma pin  $\phi$  5mm, Fiamma hooks need cut out to fit Thule pin

mounting system	Bike carrier compatible with mounting system ?							Fiamma UL / CL
	Thule Excellent	Thule Elite G2	Thule Sport G2	Thule Essential	Thule Esse4	Fiamma Pro / Pro C	Fiamma UL / CL	
Thule Top brackets	yes std. included	yes std. included	yes std. included	yes std. included	yes std. included	yes but hooks not fully secured (*)	yes but hooks not fully secured (*)	
Thule Bottom brackets	yes with adapter 307338	yes with adapter 307338	yes	yes std. included	yes std. included	yes	yes	
Thule Top mounting rail	yes optional available	yes optional available	yes optional available	yes optional available	yes optional available	no unless hooks are modified (**)	no unless hooks are modified (**)	
Thule Bottom mounting rail	yes std. included	yes std. included	yes std. included	yes optional available	yes optional available	yes	yes	
Fiamma top brackets	yes	yes	yes	yes	yes	yes std. included	yes std. included	
Fiamma bottom brackets	yes with adapter 307338	yes with adapter 307338	yes	yes	yes (adapter included)	yes	yes	
Fiamma bottom L- rail	yes with adapter 307338	yes with adapter 307338	yes	yes	yes (adapter included)	yes	yes std. included	
Fiamma Top mounting rail Fiamma Bottom mounting rail	yes	yes	yes	yes	yes	yes std. included	yes	
mounting range	Std. 80-150cm SV 60-80cm	Std. 80-150cm SV 50-80cm	Std. 80-150cm SV 40-70cm	Std. 80-150cm SV 40-70cm	Std. 80-150cm SV 50-80cm	Pro 80-150cm Pro M 50-80cm Pro C 40-50cm	UL 80-150cm - CL 40-50cm	

## Thule Top Mounting Rail



### INFO

- More flexibility for the position of the holes
- Upper mounting profile spreads the weight evenly over the panel
- Installation through the wall
- Suitable for all rear-mounted Thule RV bike racks
- Special variant for Thule Sport G2 Universal: based on the same Top Mounting Rail but extra long for the larger frame of the Thule Sport G2 Universal

309828	Thule Top Mounting Rail
307204	Thule Top Mounting Rail Universal

## Thule Bottom Mounting Rail



### INFO

- Spreads the weight evenly over the panel
- Installation through the wall
- All fixation material is included for installation through the wall
- Suitable for bike racks Thule Essential and Thule Esse4

306946	Thule Bottom Mounting Rail
--------	----------------------------

## Thule Bottom Mounting Rail for blind mounting



### INFO

- Bottom mounting profile for blind mounting
- Fits all: Thule Sport G2, Thule Elite G2, Excellent, Essential
- Special version that allows installation with only screws from the outside
- When the standard mounting method cannot be mounted because of eg. bathroom or kitchen

308954

Thule Bottom Mounting Rail for blind mounting

## Thule Cover for Mounting Rail



### INFO

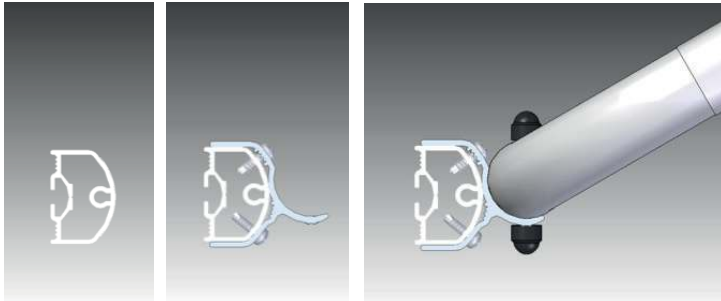
- When the bike rack is dismantled from the vehicle, the holes in the mounting rails are open for dirt and dust
- The cover is easily attached on the rail in order to cover up the holes
- Fits the Thule Bottom Mounting Rail as well as the Thule Top Mounting Rail or any other Thule Bike Rack Adapter based on the same profile
- Content:
  - 2 pieces

307328

Thule Cover for Mounting Rail



## Thule Bike Rack Lift Adapter for Bottom Mounting Rail



### INFO

- Adapter to install a Thule Lift bike rack on a pre-mounted Thule Bottom Mounting Rail
- For example on Swift vehicles the Thule Top and Bottom mounting rails are pre-installed. However the bottom mounting rails are not compatible with the Thule Lift or Thule Lift V16 bike racks
- For the top mounting rail no adapter is needed, these are compatible with the Thule Lift and the Thule Lift V16 bike racks

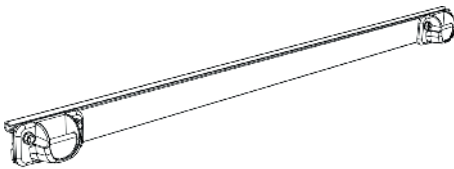
### FEATURES

- Suitable for bike racks: Thule Lift V16 and Thule Lift
- Content of set:
  - 1x Adapter rail for Lift
  - fasteners for installation on Bottom mounting rail

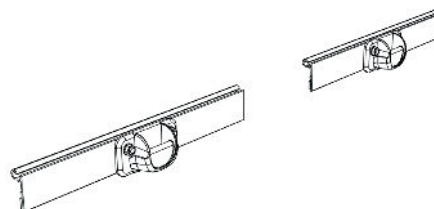
302000

Thule Bike Rack Lift Adapter for Bottom Mounting Rail

## Thule Mounting Rail for Caravan Rail



306940



306941

### INFO

- To mount a bike rack on the rear of a caravan on the rail above the window without counter plates
- Suitable for bike racks: Thule Excellent, Thule Elite G2 and Thule Sport G2

306940

Thule Mounting Rail for Caravan Rail - 1 full length rail (per 10 pcs)

306941

Thule Mounting Rail Caravan Rail - 2 pcs of 16 cm (per 10 sets)

## Thule Bike Rack Adapter Hymer Top Brackets



### INFO

- Adapter set to mount a Thule G2 bike rack on Hymer vehicles with pre-fixation points
- Quick and easy to install
- Complete installation can be done from the outside of the vehicle
- No need for an extra fixation set from Hymer
- Suitable for Thule Excellent, Thule Elite G2 and Thule Sport G2 bike racks
- The optional Thule Bottom Mounting Rail for blind mounting is not included (ref. 308954)
- Content:
  - Top Mounting Brackets for Hymer vehicles

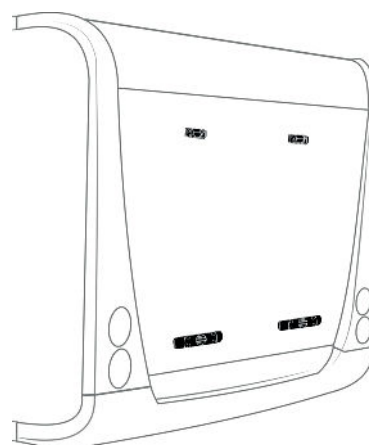
302007

Thule Bike Rack Adapter Hymer Top Brackets (per 5 sets)

## Thule Bike Rack Adapter for Curved Walls

### INFO

- Adapter set to mount a standard Thule G2 bike rack on vehicles with a slightly curved rear wall
- Bottom mounting rails are suitable for blind installation or installation with counter plates
- Suitable for Thule Excellent, Thule Elite G2 and Thule Sport G2 bike racks
- Content:
  - 2x Bottom Mounting Rail for curved walls
  - 2x Standard Top Mounting Brackets



306931

Thule Bike Rack Adapter for Curved Walls

## Thule Lift V16 Elongation Kit

### INFO

- Makes it possible to extend the mounting range of the Thule Lift V16 bike rack to 95-150 cm
- Suitable for Thule Lift V16 bike racks (ref. 307368-307369)

307371	Thule Lift V16 Elongation Kit
--------	-------------------------------

## Thule Lift Elongation Kit

### INFO

- Makes it possible to extend the mounting range of the Thule Lift bike rack to 95-150 cm
- Suitable for Thule Lift bike racks (ref. 307457-307459)

306469	Thule Lift Elongation Kit
--------	---------------------------

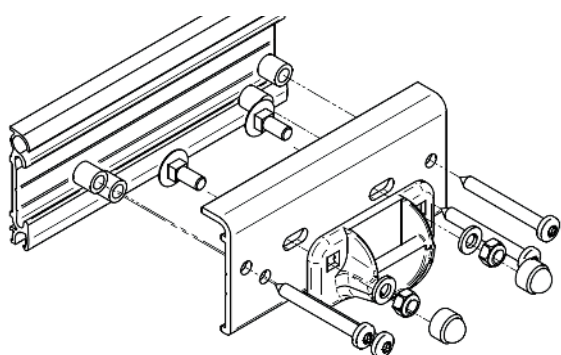


# Thule Bike Rack Adapter for Dethleffs, Carado & Sunlight

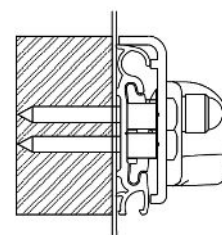


## INFO

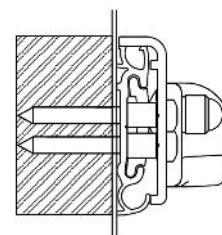
- Adapter set to mount a Thule bike rack on the rear wall of a Dethleffs, Carado or Sunlight motorhome or caravan
- These vehicles all have a specific cover profile on top. This adapter makes it easy to mount the Thule top wall brackets, included with the Thule bike rack on this cover profile without the need for mounting plates on the inside
- The adapter is an aluminum profile cut to length and foreseen with all needed holes to fix each top wall bracket with 4 screws in the strong structure behind the cover profile
- The adapter is officially approved by Dethleffs, Carado and Sunlight
- Suitable for Thule bike racks: Thule Excellent, Thule Elite G2, Thule Sport G2, Thule Lift V16, Thule Essential
- Content of set:
  - 2x adapter plate
  - screws for wall fixation
  - fixation material for Thule wall brackets



Position Dethleffs



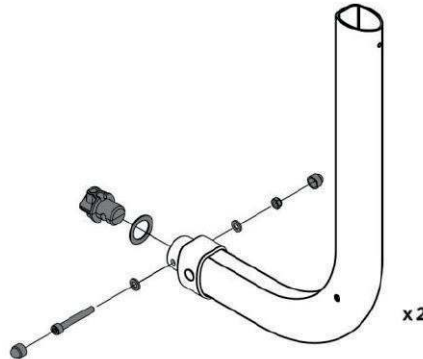
Position Carado & Sunlight  
(since 2016)



302002

Thule Bike Rack Adapter for Dethleffs, Carado & Sunlight (per 5 sets)

## Thule Adapter 4 Point Fixation Fiamma



### INFO

- Adapter set to mount a Thule Excellent | Elite G2 bike rack on Fiamma brackets (4 point fixation)
- Useful for customers who have pre-mounted Fiamma fixations on their vehicle and who want to replace a Fiamma bike rack by the Thule Excellent | Elite G2 bike rack. To do this, the lower part of the bike rack frame must be equipped with the adapter

307338

Thule Adapter 4 Point Fixation Fiamma (per 5 sets)

## Thule XL U-bolts for A-frame bike racks



### INFO

- Adapter set to mount a Thule A-frame bike rack on caravans with high BPW chassis (for example: Adria 2016 Alpina caravans)
- Installation can be done by following the normal instructions included with the bike rack
- Suitable for all Thule A-frame bike racks: Thule Caravan Superb Standard/Short, Thule Caravan Smart, Thule Caravan Light
- Content of set:
  - 4 extra-long U-bolts M6 x 160-78-160mm

308140

Thule XL U-bolts for A-frame bike racks (per 5 sets)

# Thule Eriba Bracket

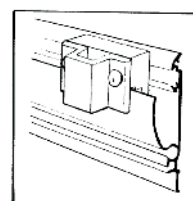
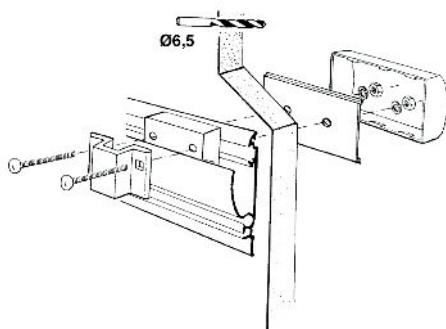
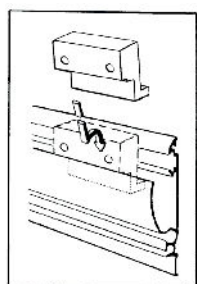


## INFO

- For mounting a bike rack to an Eriba caravan

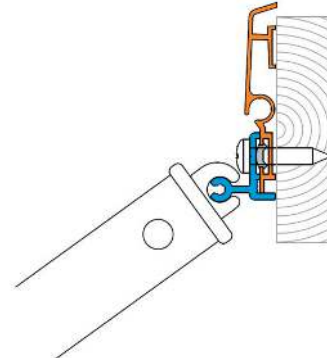
308137	Thule Eriba Bracket for mounting on Eriba (per 5 sets)
--------	--

# Thule Rail Support Bracket for Hobby Caravan Rail <2003



308147	Thule Rail Support Bracket for Hobby Caravan Rail <2003 (per 10 sets)
--------	---

## Thule Bike Rack Adapter for Hobby 2014 Caravans



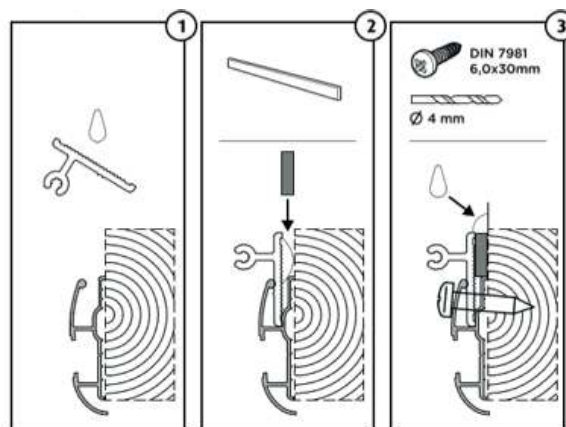
### INFO

- Mounting rail to install a Thule bike rack on Hobby 2014 caravans (models: De Luxe, Excellent, Prestige - not for models: De Luxy Easy, Premium and Landhaus)
- On these Hobby caravans, the advised position at the rear for installing a bike rack is on the cover profile below the brake light. This is the strongest and most reliable position because of the wood structure behind it. Below the brake light there is no risk of damaging any electric cables
- The mounting rail is designed in cooperation with Hobby to perfectly fit this position and can be screwed on the cover profile without removing the rubber
- To be used in combination with Thule Sport G2 Hobby bike rack (ref.: 307128)
- Rail length: 715mm
- Content:
  - 10x mounting rail for Hobby 2014

307174

Thule Bike Rack Adapter for Hobby 2014 Caravans (per 10 pcs)

# Thule Bike Rack Adapter for Hobby 2015 Caravans



## INFO

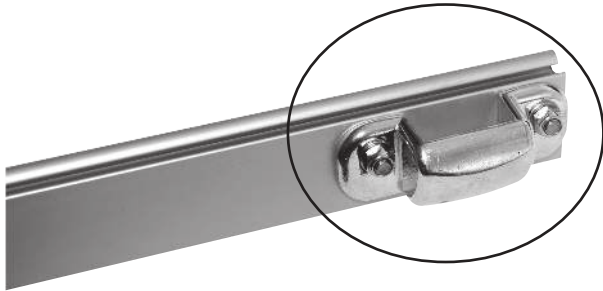
- Adapter to install a Thule Sport G2 Hobby bike rack on Hobby Caravans as from 2015
- These Caravans have a special rail and limited space above the rear window which makes it impossible to install the standard Thule Sport G2 Hobby bike rack
- The adapter is a rectangular aluminum profile cut to length
- To install the bike rack, the mounting profile included with the Thule Sport G2 Hobby needs to be mounted upside down in the Hobby rail. The adapter perfectly fits the gap between the mounting rail and the vehicle
- This Thule adapter is officially approved by Hobby Wohnwagenwerk
- For Hobby Caravans that are standard equipped with the Thule bike rack by Hobby Wohnwagenwerk this adapter is not needed because a cut out is made in the Hobby rail
- The Thule Adapter for Hobby Caravans 2014 (ref.: 307174) cannot be used due to the shape of the new Hobby rail and the brake light in the center
- To be used in combination with Thule Sport G2 Hobby bike rack (ref.: 307128)
- Adapter profile dimensions: length 715mm, height 15mm, thickness 5mm
- Content:
  - 10x adapter rail for Hobby caravans as from 2015

307330

Thule Bike Rack Adapter for Hobby 2015 Caravans (per 10 pcs)

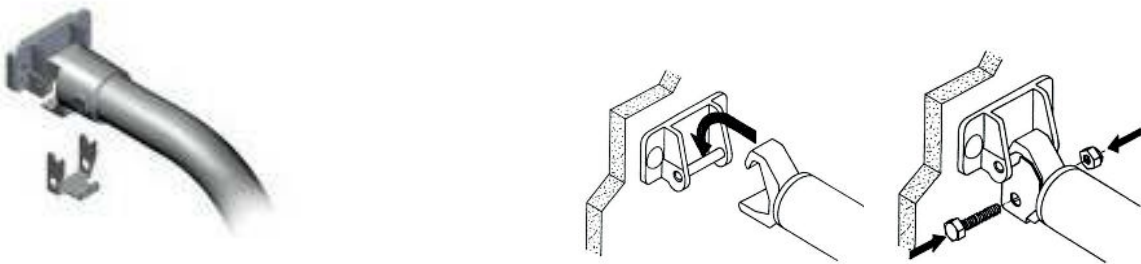


# Thule Small Wall Hooks for Sport



308305	Thule Small Wall Hooks for Sport (per 10 sets)
--------	--

# Thule Blocking Hook for Sport / Elite



308306	Thule Blocking Hook for Sport/Elite (for installation on an existing bracket) (per 10 sets)
--------	---

