

Roof Rack and Ladders

Fit Guide - Roof Rack and Awning Adapter	210
Thule SmartClamp System	212
Thule SmartClamp System for TO 6300/6200 Pack	213
Thule Transformation Kit for SmartClamp System Ducato <2017	214
Thule ProBar Flex	214
Thule Van Ladder 9 Steps	216
Thule Ladder Fixation Kit	217
Thule Roof Rails	218
Thule Ladder 4 Steps	219
Thule Ladder 5 Steps	219
Thule Ladder 6 Steps	220
Thule Ladder Deluxe 6 Steps	220
Thule Ladder 10 Steps	221
Thule Ladder Deluxe 11 Steps	221

Fit Guide - Roof Rack & Awning Adapter

Checklist:

- My Van is (based on) a H2 Fiat Ducato, Peugeot Boxer or Citroën Jumper
- Model > June 2006
- The roof should be clear of obstacles within 10 cm from the fix points

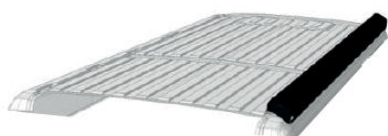
The size of my van is >

L2H2

Length: 5.4 m / Height: 2.5 m



A - I would like an awning



New

TO 6300 Pack - Colour 1	302420
TO 6300 Pack - Colour 2	302425
TO 6300 Pack - Colour 3	302430
TO 6300 Pack - Colour 4	302439

B - I would like a roof rack



Thule SmartClamp System	301640
Thule ProBar Flex - High (2 pcs)	301647
Thule ProBar Flex - Low (2 pcs)	301648

C - I would like an awning and a roof rack



Step 1: Choose your awning (see A)	
Step 2: Order Thule SmartClamp System for TO 6300/6200 Pack	301643
Step 3: Choose load bars: High or Low (2 pcs)	High 301647
	Low 301648

D - I have an awning (1) and would like to expand with a roof rack



Thule SmartClamp System	301643 (2)
Thule ProBar Flex - High (2 pcs)	301647
Thule ProBar Flex - Low (2 pcs)	301648

(1) only compatible with Thule Omnistor Roof Awnings
 (2) for older Thule Ducato adapters (two-piece adapter) also order Thule Transformation Kit for Thule SmartClamp System Ducato <2017 - 301646

E - I have a roof rack and would like to expand with an awning



Awning Thule Omnistor 6300 3.25 m + adapter 301651

Awning colour 1:

Awning cassette: Anodised
 Caps: Black
 Fabric: Mystic Grey 31



Awning colour 2:

Awning cassette: Anodised
 Caps: Grey
 Fabric: Mystic Grey 31



Awning colour 3:

Awning cassette: Anthracite
 Caps: Black
 Fabric: Mystic Grey 31



Thule ProBar Flex - High

L: 1m50



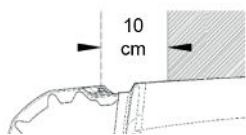
4cm
 +/- 13cm



Thule ProBar Flex - Low

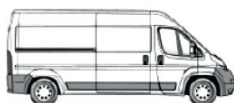
L: 1m50





L3H2

Length: 6.0 m / Height: 2.5 m



L4H2

Length: 6.4 m / Height: 2.5 m



TO 6300 Pack - Colour 1

302421

TO 6300 Pack - Colour 1

302422

TO 6300 Pack - Colour 2

302426

TO 6300 Pack - Colour 2

302427

TO 6300 Pack - Colour 3

302431

TO 6300 Pack - Colour 3

302432



TO 6300 Pack - Colour 4

302440



TO 6300 Pack - Colour 4

302441

Thule SmartClamp System

301641

Thule SmartClamp System

301642

Thule ProBar Flex - High (2 pcs)

301647

Thule ProBar Flex - High (2 pcs)

301647

Thule ProBar Flex - Low (2 pcs)

301648

Thule ProBar Flex - Low (2 pcs)

301648

Step 1: Choose your awning (see A)

Step 1: Choose your awning (see A)

Step 2: Order Thule SmartClamp System for TO 6300/6200 Pack

301644

Step 2: Order Thule SmartClamp System for TO 6300/6200 Pack

301645

Step 3: Choose load bars:
High or Low (2 pcs)

High 301647

Step 3: Choose load bars:
High or Low (2 pcs)

High 301647

Low 301648

Low 301648

Thule SmartClamp System

301644 (2)

Thule SmartClamp System

301645 (2)

Thule ProBar Flex - High (2 pcs)

301647

Thule ProBar Flex - High (2 pcs)

301647

Thule ProBar Flex - Low (2 pcs)

301648

Thule ProBar Flex - Low (2 pcs)

301648

(1) only compatible with Thule Omnistor Roof Awnings

(2) for older Thule Ducato adapters (two-piece adapter) also order

Thule Transformation Kit for Thule SmartClamp System Ducato <2017 - **301646**

(1) only compatible with Thule Omnistor Roof Awnings

(2) for older Thule Ducato adapters (two-piece adapter) also order

Thule Transformation Kit for Thule SmartClamp System Ducato <2017 - **301646**

Awning **Thule Omnistor 6300 3.75 m + adapter 301652**

Awning **Thule Omnistor 6300 4.00 m + adapter 301652**

Awning colour 4

Awning cassette: **White**

Caps: **White**

Fabric: **Mystic Grey 31**



LOAD INFO

- Maximum load:
- L2H2:
- L3H2:
- L4H2:

75 kg per set of 2 load bars

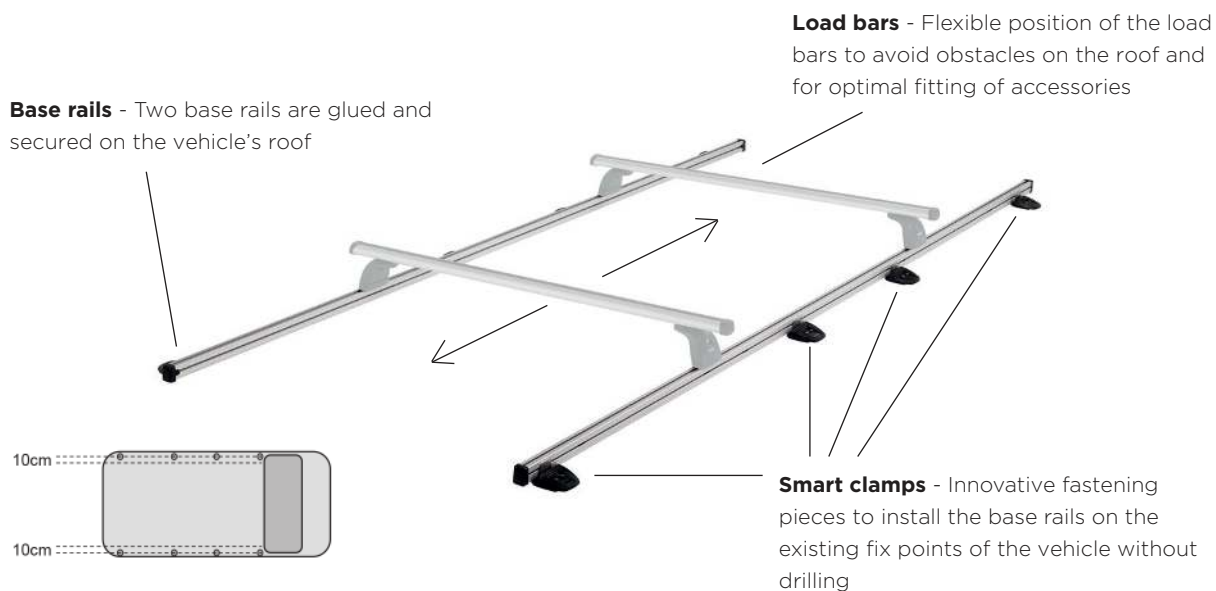
Maximum total load 150 kg

Maximum total load 200 kg

Maximum total load 200 kg

Thule SmartClamp System

Easy-to-install roof rack base rails for H2 Ducato/Jumper/Boxer vans from 2007 onwards



INFO

- Easy installation without drilling by mounting the smart clamps to the van's existing fix points
- Base rails are glued onto the vehicle roof and connected to the smart clamps
- Possible to expand the roof rack with a Thule awning, retrofit installation possible (301651/301652)

FEATURES

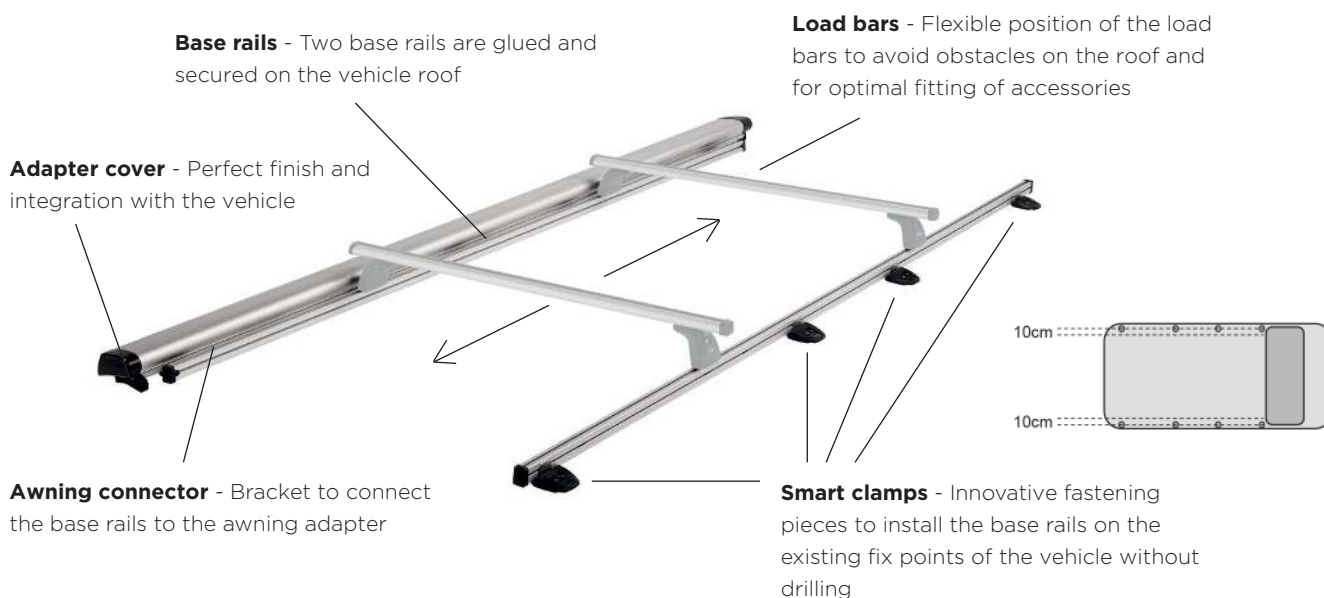
- Suitable for H2 Fiat Ducato, Peugeot Boxer and Citroën Jumper vans from 2007 onwards
- Van roof should be clear of obstacles within 10 cm of the fix points
- Option to add two or more load bars to allow fitting of roof accessories such as roof boxes and carriers for sports gear (needs to be bought separately)
- Various lengths available for various vehicle models
- Content set:
 - **L2H2** (301640) 2x base rails of 2.83 m (left/right) + 6x smart clamps + fixation material
 - **L3H2** (301641) 2x base rails of 3.44 m (left/right) + 8x smart clamps + fixation material
 - **L4H2** (301642) 2x base rails of 3.78 m (left/right) + 8x smart clamps + fixation material

MODEL	VEHICLE SIZE	MAX. LOAD ROOF RACK	AWNING LENGTH
Fiat Ducato Peugeot Boxer Citroën Jumper	L2H2 (L 5.4 m - H 2.5 m)	150 kg	3.25 m
	L3H2 (L 6.0 m - H 2.5 m)	200 kg	3.75 m
	L4H2 (L 6.4 m - H 2.5 m)	200 kg	4.00 m

301640	Thule SmartClamp System - L2H2	Weight: 9 kg
301641	Thule SmartClamp System - L3H2	Weight: 11 kg
301642	Thule SmartClamp System - L4H2	Weight: 12 kg

Thule SmartClamp System for TO 6300/6200 Pack

Easy-to-install roof rack base rails for H2 Ducato/Jumper/Boxer vans from 2007 onwards in combination with Thule Omnistor 6300 Pack



INFO

- Mounting set if roof rack is bought in combination with the TO 6300 Pack
- Easy installation without drilling by mounting the smart clamps to the van's existing fix points and awning connector to the awning adapter
- Base rails are glued onto the vehicle roof and connected to the smart clamps

FEATURES

- Suitable for H2 Fiat Ducato, Peugeot Boxer and Citroën Jumper vans from 2007 onwards
- Van roof should be clear of obstacles within 10 cm of the fix points
- Compatible with the Thule Omnistor 6300 Pack (needs to be bought separately)
- Compatible with a Thule awning, mounted with the Thule Ducato adapter >2017 (301649/301650)
- Compatible with older Thule Ducato adapters (2-pieces) with the Thule Transformation Kit for Thule SmartClamp System Ducato <2017 (301646)
- Option to add two or more load bars to allow fitting of roof accessories such as roof boxes and carriers for sports gear (need to be bought separately)
- Various lengths available for various vehicle models
- Content set:
 - **L2H2** (301643) 2x base rails of 2.83 m (left/right) + 3x smart clamps + 3x awning connectors + fixation material
 - **L3H2** (301644) 2x base rails of 3.44 m (left/right) + 4x smart clamps + 4x awning connectors + fixation material
 - **L4H2** (301645) 2x base rails of 3.78 m (left/right) + 4x smart clamps + 4x awning connectors + fixation material

MODEL	VEHICLE SIZE	MAX. LOAD ROOF RACK	AWNING LENGTH
Fiat Ducato Peugeot Boxer Citroën Jumper	L2H2 (L 5.4 m - H 2.5 m)	150 kg	3.25 m
	L3H2 (L 6.0 m - H 2.5 m)	200 kg	3.75 m
	L4H2 (L 6.4 m - H 2.5 m)	200 kg	4.00 m

301643	Thule SmartClamp System for TO 6300/6200 Pack - L2H2	Weight: 9 kg
301644	Thule SmartClamp System for TO 6300/6200 Pack - L3H2	Weight: 11 kg
301645	Thule SmartClamp System for TO 6300/6200 Pack - L4H2	Weight: 12 kg
301646	Thule Transformation Kit for Thule SmartClamp System Ducato <2017	Weight: 0.5 kg

Thule Tranformation Kit for Thule SmartClamp System Ducato <2017

INFO

- When you already have an awning installed and would like to expand it with a roof rack
- Permits you to fit the Thule SmartClamp System to an older Ducato two-piece awning adapter
- Weight: 0.5 kg



RELATED PRODUCT

- Thule SmartClamp System for TO 6300/6200 Pack

301646	Thule Tranformation Kit for Thule SmartClamp System Ducato <2017
--------	--

Thule ProBar Flex

Roof rack load bars for vans, enabling combination with Thule roof accessories



Thule ProBar Flex - High
301647



Thule ProBar Flex - Low
301648

INFO

- Compatible with the Thule SmartClamp System on the vehicle roof
- Flexible position of the load bars on the base rails to avoid obstacles on the roof
- Fits all Thule roof accessories and carriers compatible with the Thule ProBar
- Optional Thule Van Ladder 9 Steps to provide easy access to roof rack and roof-mounted accessories
- The load bars can be locked with a key to prevent theft

LOAD BARS	HEIGHT (H)	LENGTH (L)	WEIGHT	MAX. LOADING WEIGHT
High	13 cm	1.50 m	8.3 kg per set	75 kg per set
Low	10 cm	1.50 m	7.9 kg per set	75 kg per set

FEATURES

- Available in two heights
- Thule ProBar Flex - High: approx. 13 cm above roof center
- Thule ProBar Flex - Low: approx. 10 cm above roof center
- Length: 1.50 m
- Maximum load of 75 kg per set of load bars
- Content:
 - 2x Thule ProBar + sealing rubber
 - 4x feet
 - 4x locks with 2 keys
 - fixation material
 - manual

301647	Thule ProBar Flex - High (2 pcs)
301648	Thule ProBar Flex - Low (2 pcs)

NOTE - Thule ProBar Flex - Low is not compatible with the Thule Hullavator Pro

RELATED PRODUCTS

- Thule SmartClamp System
- Thule SmartClamp System for TO 6300/6200 Pack
- Thule Van Ladder 9 Steps

ACCESSORIES

NOTE - Fits all Thule roof accessories and carriers compatible with the Thule ProBar load bars

- Thule Force XT
- Thule Canyon XT
- Thule Hullavator Pro
- Thule Hull-a-Port Aero
- Thule Portage
- Thule Sailboard Rack
- Thule SUP Taxi XT
- Thule Multipurpose Rack
- Thule SnowPack
- Thule SkiClick
- ... See www.thule.com



Thule Van Ladder 9 Steps

Telescopic ladder for easy access to roof-mounted accessories



INFO

- Quick and easy access to roof rack and roof-mounted accessories
- Can easily be fastened to the vehicle wall with extra stability thanks to the included magnetic fixation kit
- Safe and stable on most terrains
- Air pressure system for safe closing
- The Thule Ladder Fixation Kit can also be used to fasten a windscreen or to hang up organizers
- Storage bags included

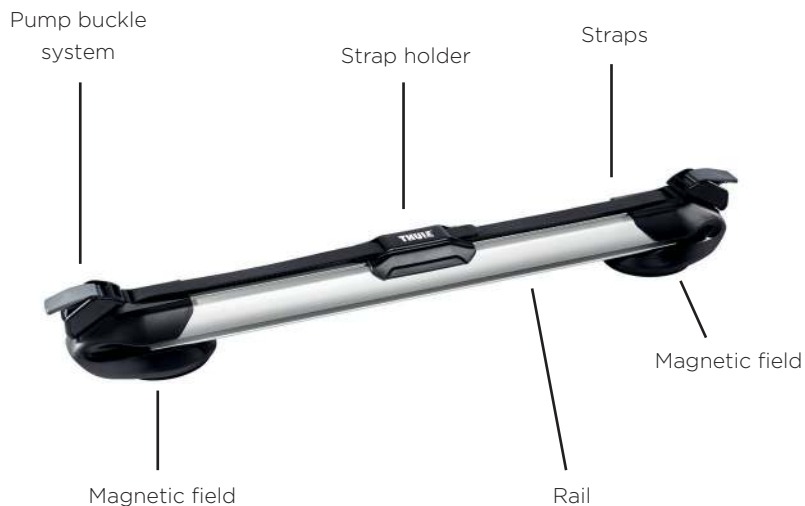
FEATURES

- Complies with EN-131
- 9 steps, extendable to 2.60 m
- Open partly for lower reach
- Max. weight support: 150 kg
- Max. load for organizers: 10 kg
- Dimensions: closed LxWxH: 49 x 7 x 75 cm - open LxWxH: 49 x 7 x 264 cm
- Weight ladder: 8.1 kg
- Weight fixation kit: 1.2 kg
- Packaging size LxWxH: 65 x 13 x 80 cm
- Content:
 - Thule Van Ladder 9 Steps
 - Thule Ladder Fixation Kit
 - 4 protection patches
 - 2 protection caps
 - 2 organizer fixation parts
 - Storage bag for ladder
 - Storage bag for fixation kit with safe protection for magnetic field

301404	Thule Van Ladder 9 Steps
--------	--------------------------

Thule Ladder Fixation Kit

Multiple-purpose magnetic fixation kit that is easy to apply on and remove from steel surfaces



INFO

- Easy to both apply on and remove from steel surfaces (for the magnetic connection a steel surface is required)
- Multi-purpose use for telescopic ladder, organizers and windscreen
- Quick and easy fixation of a telescopic ladder thanks to the pump buckle tensioning system
- Easily attach the Thule Windscreen to the vehicle side without drilling
- Easy to mount the Thule Organizers on various positions on the vehicle sides thanks to the integrated rail

FEATURES

- Max. load for organizers: 10 kg
- Dimensions LxWxH: 66 x 10 x 8 cm
- Weight fixation kit: 1.2 kg
- Packaging size LxWxH: 15 x 15 x 73 cm
- Content:
 - Thule Ladder Fixation Kit
 - 4 protection patches
 - 2 organizer fixation parts
 - Storage bag for fixation kit with safe protection for magnetic field



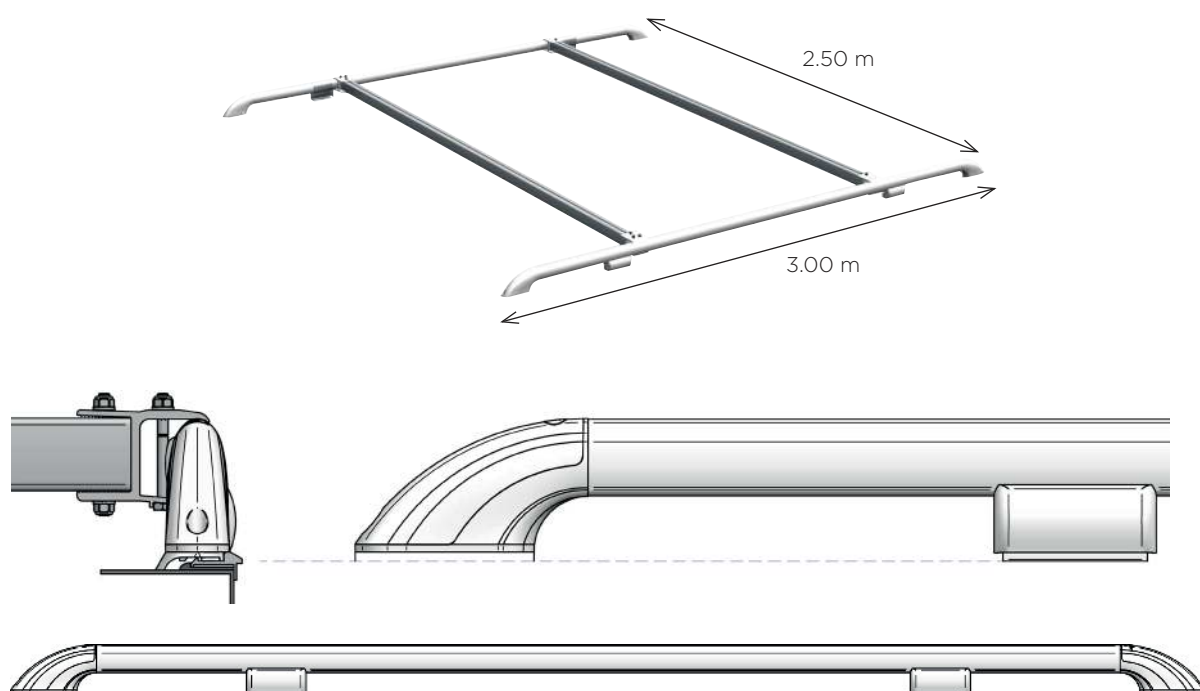
301405

Thule Ladder Fixation Kit

Thule Roof Rails

INFO

- Standard length 3 meters
- Easily adjustable to required length
- Optional: set of 2 accompanying cross rails in aluminium with a standard length of 2.50 m
- Loading capacity: 70 kg



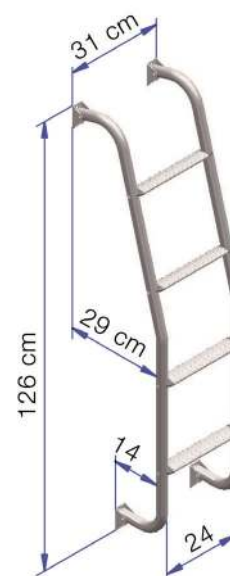
307511	Thule Roof Rails Deluxe - White lacquered (2 pcs)
307516	Thule Roof Rails Deluxe - Aluminium (2 pcs)
307499	Thule Cross Rails for Roof Rails (2 pcs)

Thule Ladder 4 Steps

INFO

- 4 steps
- Backside mounting on a van
- Material: anodised aluminium
- Stainless steel fastening components
- Extra light and robust

307490	Thule Ladder 4 Steps
--------	----------------------

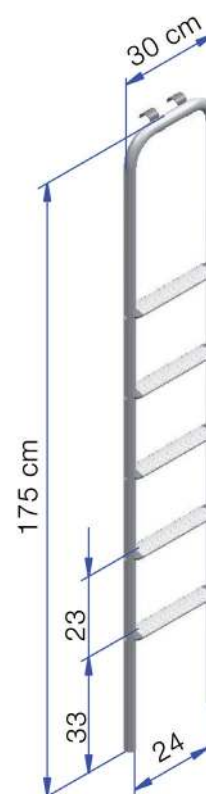


Thule Ladder 5 Steps

INFO

- 5 steps
- For indoor use
- Material: anodised aluminium
- Stainless steel fastening components
- Extra light and robust

307492	Thule Ladder 5 Steps
--------	----------------------

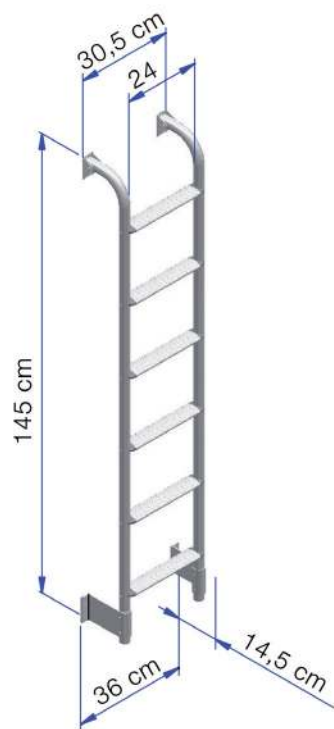


Thule Ladder 6 Steps

INFO

- 6 steps
- Backside mounting
- Material: anodised aluminium
- Stainless steel fastening components
- Extra light and robust

307487	Thule Ladder 6 Steps
--------	----------------------

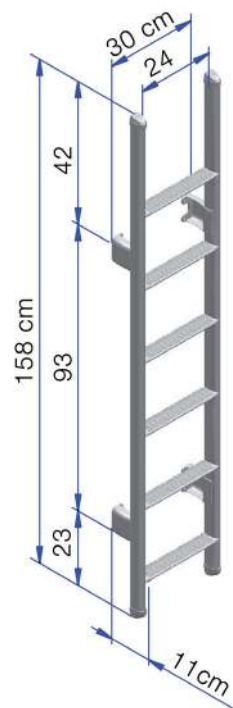


Thule Ladder Deluxe 6 Steps

INFO

- 6 steps
- Backside mounting
- Material: lacquered aluminium
- Stainless steel fastening components
- Extra light and robust

307496	Thule Ladder Deluxe 6 Steps
--------	-----------------------------

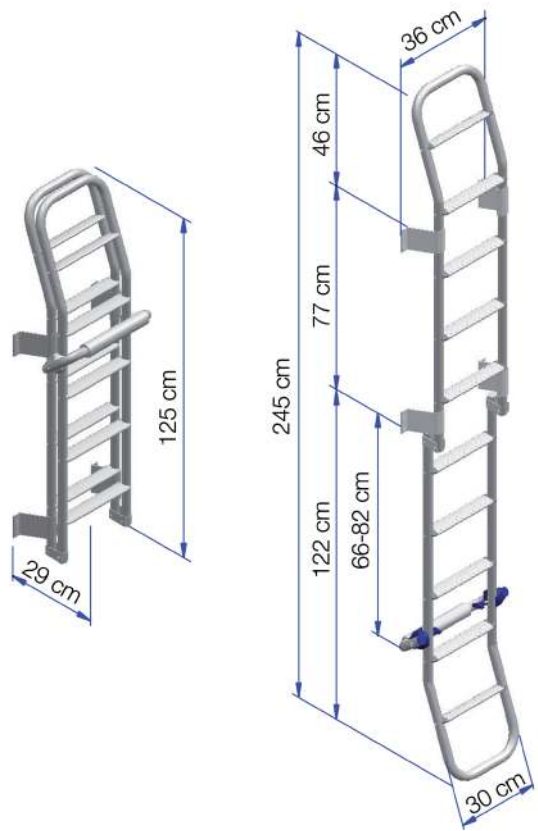


Thule Ladder 10 Steps

INFO

- 10 steps
- Backside mounting
- Foldable
- Material: anodised aluminium
- Stainless steel fastening components
- Extra light and robust

307488	Thule Ladder 10 Steps
--------	-----------------------

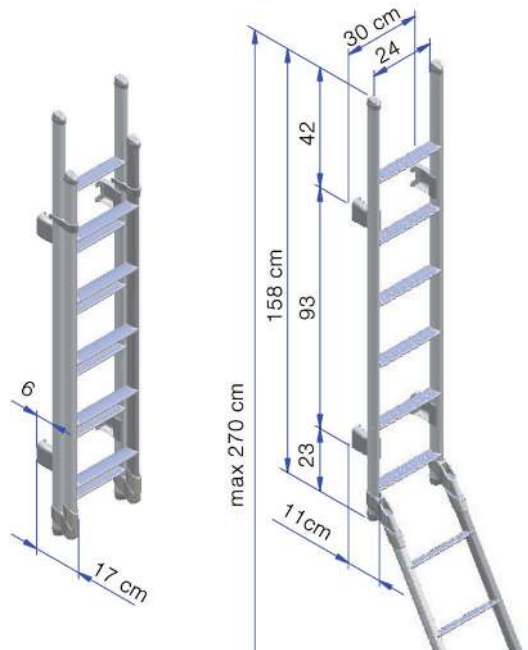


Thule Ladder Deluxe 11 Steps

INFO

- 11 steps
- Backside mounting
- Foldable
- Material: lacquered aluminium
- Stainless steel fastening components
- Extra light and robust

307497	Thule Ladder Deluxe 11 Steps
--------	------------------------------



A series of 40 horizontal lines for writing.