

Storage

ORGANIZERS	
Thule Wall Organizer	226
Thule Shoe Organizer	227
Thule Countertop Organizer	228
Thule Go Box	229
Thule Toiletry Kit	230
Thule Trash Bin	231
FIXATION	
Thule POD 2.0	232
Thule POD 1.0	234
Thule Strap Kit for Organizers	236
Thule Ladder Fixation Kit	238
BOXES	
Thule Force XT	239

Thule Wall Organizer

Provides storage space for all kinds of things



INFO

- Material 100% polyester
- Colour Black, grey, blue combination
- Dimensions 50 cm L x 85 cm H

FEATURES

- Storage compartments: 14 pockets, 2 extra mesh pockets, 2 elastic cords on the side for paper towels
- Integrated cover with zipper to protect your items during transport. Can remain open for easy access
- Easy to carry thanks to the built-in handle
- Strong, durable and weather-resistant
- Foldable for compact storage when not being used
- 2 velcro straps and 2 corner grommets offer a variety of options for fixation on the outer wall of vehicles, on garage doors or anywhere you want, both on the in- or outside of vehicles

FIXATION

- Thule POD 2.0 306804
- Thule POD 1.0 307620
- Thule Strap Kit for Organizers 307124
- Thule Ladder Fixation Kit 301405

306924	Thule Wall Organizer
--------	----------------------

Thule Shoe Organizer

Provides storage space for at least 10 pairs of shoes



INFO

- Material 100% polyester
- Colour Black, grey, blue combination
- Dimensions 50 cm L x 80 cm H

FEATURES

- Storage compartments: 10 large pockets for shoes, 2 extra mesh pockets
- Integrated cover with zipper to protect your shoes during transport and. Can remain open for easy access
- Contains small ventilation holes for optimal ventilation
- Easy to carry thanks to the built-in handle
- Strong, durable and weather-resistant
- Foldable for compact storage when not being used
- 2 velcro straps and 2 corner grommets offer a variety of options for fixation on the outer wall of vehicles, on garage doors or anywhere you want, both on the in- or outside of vehicles

FIXATION

- Thule POD 2.0 306804
- Thule POD 1.0 307620
- Thule Strap Kit for Organizers 307124
- Thule Ladder Fixation Kit 301405

306925

Thule Shoe Organizer

Thule Countertop Organizer

Keeps all essential items within reach



INFO

- Material 100% polyester
- Colour Black, grey, blue combination
- Dimensions 90 cm L x 40 cm H

FEATURES

- Storage compartments: 5 mesh pockets, 14 elastic loops, 1 pen holder, 2 paper towel holders
- Strong, durable and weather-resistant
- Foldable for compact storage when not being used
- 2 velcro straps and 2 corner grommets offer a variety of options for fixation on the outer wall of vehicles, on garage doors or anywhere you want, both on the in- or outside of vehicles

FIXATION

- Thule POD 2.0 306804
- Thule POD 1.0 307620
- Thule Ladder Fixation Kit 301405

306926	Thule Countertop Organizer
--------	----------------------------

Thule Go Box

Handy and foldable storage box in two sizes



INFO

- Material 100% polyester
- Colour Black, grey, blue combination
- Dimensions Medium 61 cm L x 36 cm W x 30 cm H
- Dimensions Large 61 cm L x 46 cm W x 30 cm H

FEATURES

- Storage compartments: 2 main compartments and 3 side pockets
- Available in two sizes
- Perfect to store all kinds of things in your motorhome, caravan garage or in the trunk of the car
- Take the Thule Go Box for a picnic on the beach or to go shopping
- Strong, durable, weather-resistant, maintenance friendly
- No installation required
- Foldable for compact storage when not being used
- Water-resistant cover included

306929	Thule Go Box - Medium
306930	Thule Go Box - Large

Thule Toiletry Kit

Ideal to use in the bathroom or to take along the campsite



INFO

- Material 100% polyester
- Colour Black, grey, blue combination
- Dimensions when closed 35 cm L x 40 cm H
- Dimensions when opened 35 cm L x 120 cm H

FEATURES

- Storage compartments: 13 different compartments and a dedicated compartment for first-aid items
- Detachable mirror with a practical velcro connection
- Easy to carry thanks to the handle on top
- Closable with a zipper
- Strong, durable and weather-resistant, waterproof material inside
- Foldable for compact storage when not being used
- Strong L-shaped hook to fit over a door/wall, on a door handle, on a POD,...

FIXATION

- Thule POD 2.0 306804
- Thule POD 1.0 307620
- Thule Strap Kit for Organizers 307124

306928	Thule Toiletry Kit
--------	--------------------

Thule Trash Bin

Keeps your waste or laundry out of sight and off the ground



INFO

- Material 100% polyester
- Colour Black, grey, blue combination
- Dimensions 35 cm L x 35 cm W x 70 cm H

FEATURES

- A handy zipper at the bottom makes it easy to remove
- All contact surfaces are smooth and maintenance friendly
- Suitable for plastic trash bags of 50 litres
- Closable with foldable lid on top
- Foldable for compact storage when not being used
- Rigid metal frame
- Strong, durable and weather-resistant
- Can be mounted on a POD 1.0 on the outer wall of the vehicle, on the garage door or anywhere you want on the in- or outside of vehicles

FIXATION

- Thule POD 1.0 307620

306927

Thule Trash Bin

Thule POD 2.0



INFO

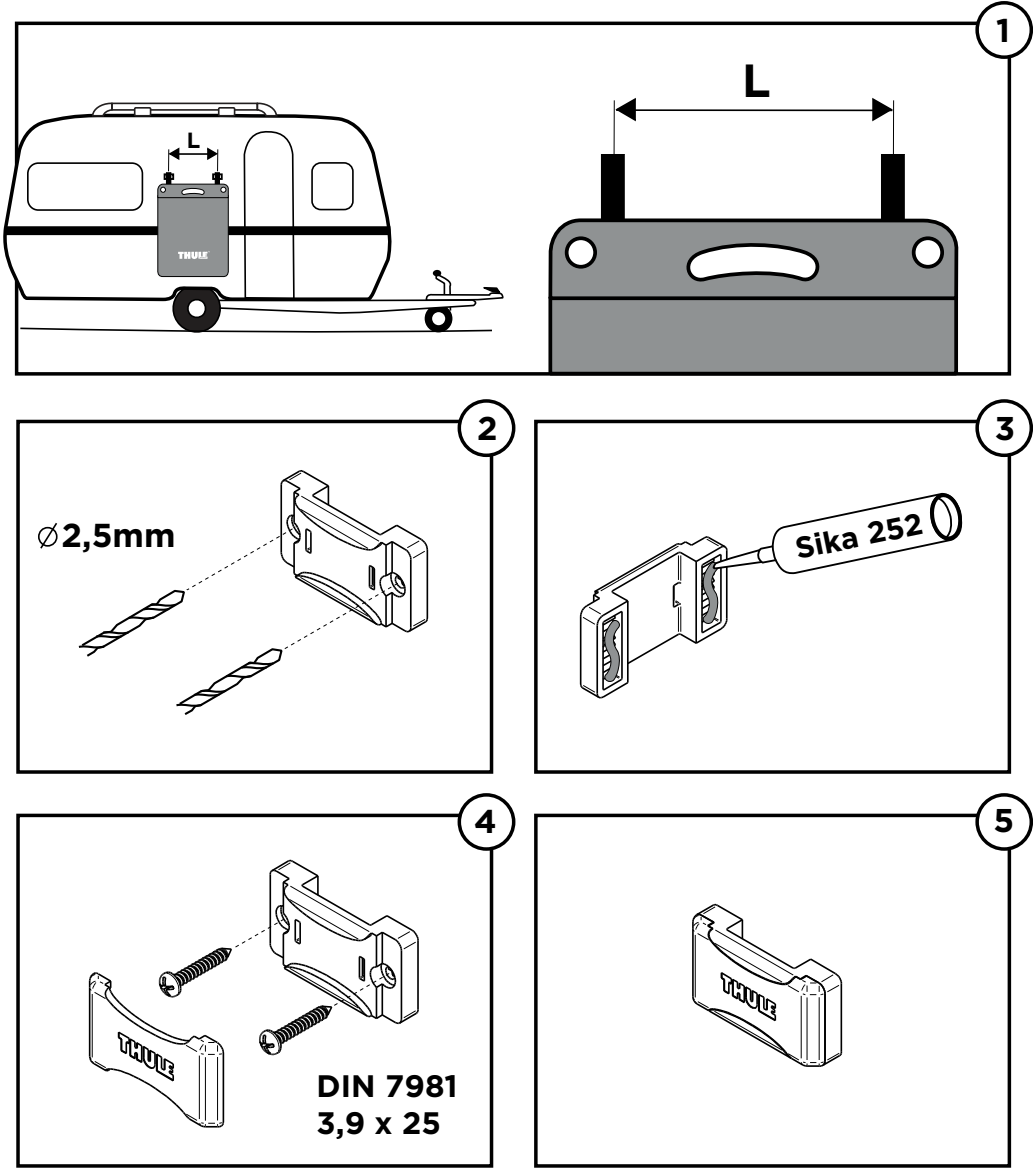
- Material UV-resistant plastic
- Colour White
- Dimensions 55 mm L x 12 mm W x 30 mm H
- Maximum load 10 kg/POD

FEATURES

- Compact and discreet design
- Easy to install
- Mounted with 2 screws and/or glue
- Cover included
- For in- or outdoor application
- Can be installed on the outside of a RV wall, on the inside of a garage or on the garage door, on interior cabinets, on a bed board,... or anywhere at home
- Content:
 - 2 pieces

306804

Thule POD 2.0



Thule POD 1.0



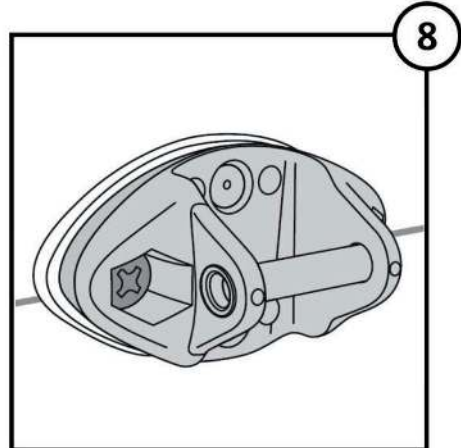
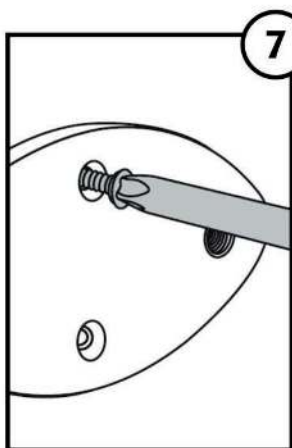
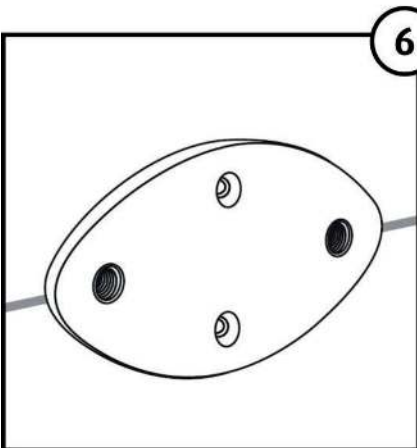
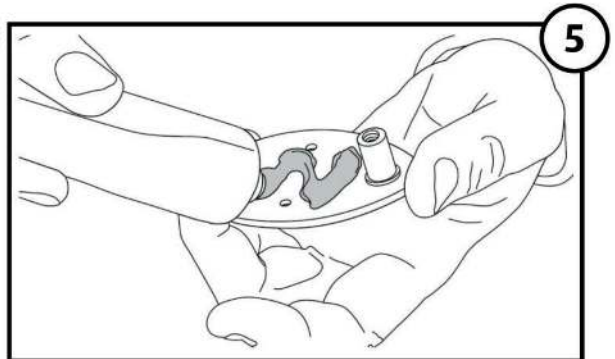
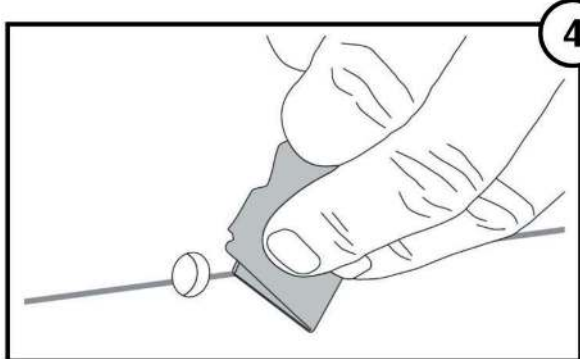
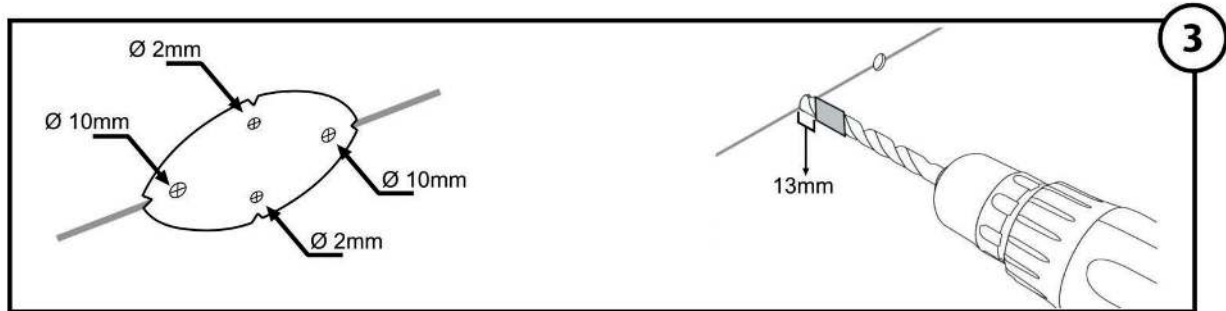
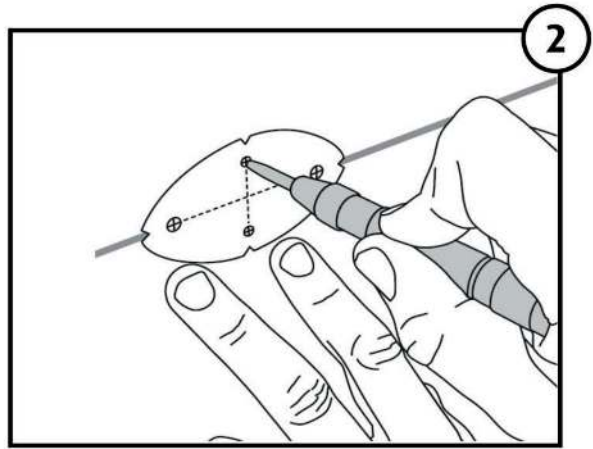
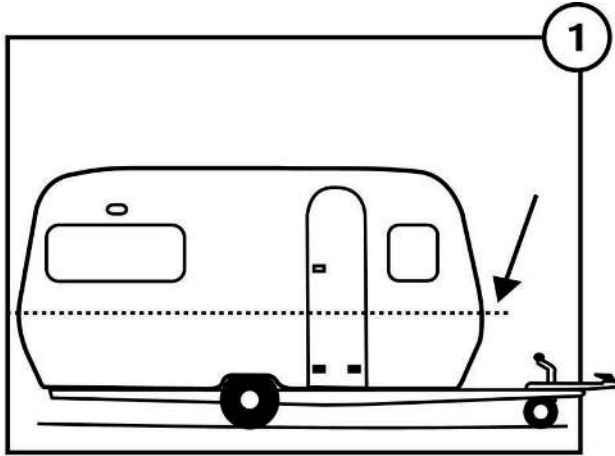
INFO

- Material: Fiberglass-reinforced, UV-resistant nylon with a stainless steel pin
- Colour: White
- Dimensions: 88 mm L x 44 mm W x 52 mm H

FEATURES

- Easy and safe way to connect accessories to the wall
- Mounted with 2 screws and metal plate for glue
- For heavy-duty use (e.g. in combination with the Thule Trash Bin)
- Includes a cover for a discrete look when not in use
- For in- or outdoor application
- Can be installed on the outside of a RV wall, on the inside of a garage or on the garage door, on interior cabinets, on a bed board,... or anywhere a home
- Content:
 - 2 pieces

307620	Thule POD 1.0
--------	---------------



Thule Strap Kit for Organizer



INFO

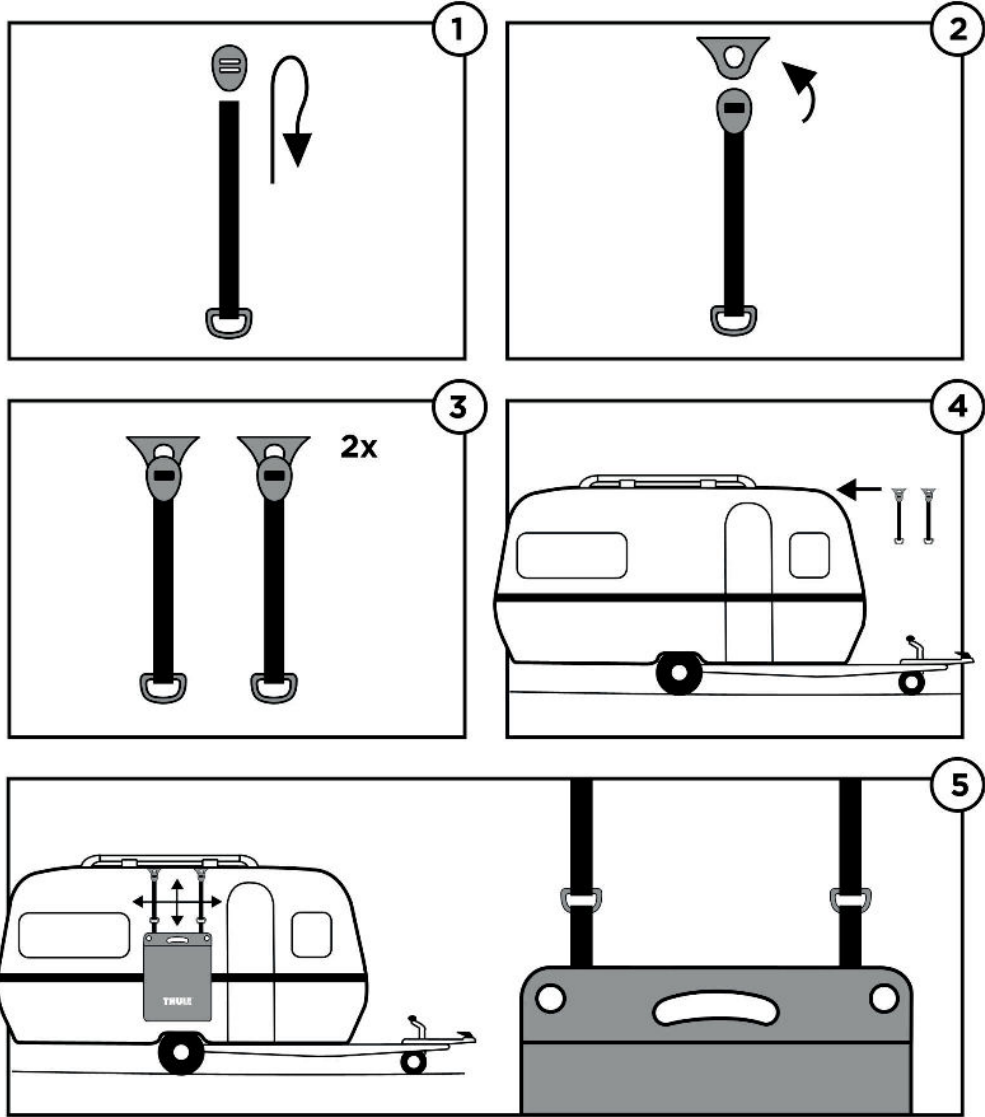
- Colour Black
- Strap length 1.20 m
- Maximum load 10 kg/strap

FEATURES

- Fits in the caravan rail or the front lead rail of an awning
- Quick release system
- Adjustable in height
- Organizers can be installed with the complete strap or directly on the rail attachments
- Content:
 - 2 pieces

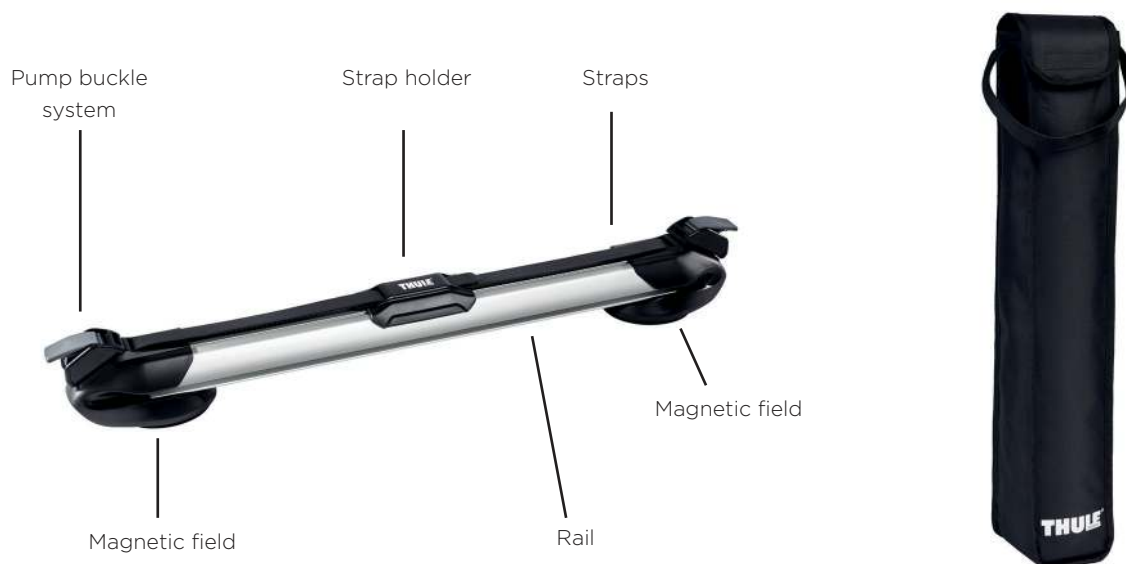
307124

Thule Strap Kit for Organizers



Thule Ladder Fixation Kit

Multiple-purpose magnetic fixation kit that is easy to apply on and remove from steel surfaces

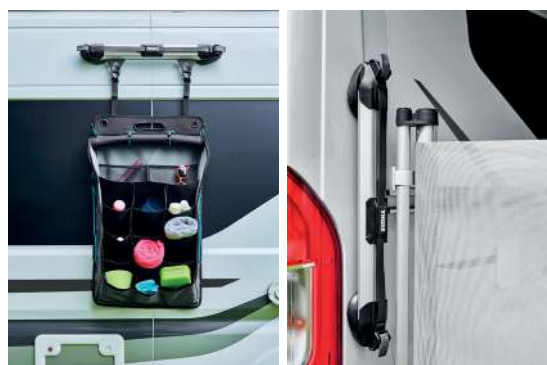


INFO

- Easy to apply on and remove from steel surfaces (for the magnetic connection a steel surface is required)
- Multi-purpose use for telescopic ladder, organizers and windscreen
- Quick and easy fixation of a telescopic ladder thanks to the pump buckle tensioning system
- Easily attach the Thule Windscreen to the vehicle side without drilling
- Easy to mount the Thule Organizers in various positions on the vehicle sides thanks to the integrated rail

FEATURES

- Max. load for organizers: 10 kg
- Dimensions LxWxH: 60 x 10 x 8 cm
- Weight fixation kit: 1.2 kg
- Packaging size LxWxH: 15 x 15 x 73 cm
- Content:
 - Thule Ladder Fixation Kit
 - 4 protection patches
 - 2 organizer fixation parts
 - Storage bag for fixation kit with safe protection for magnetic field



301405

Thule Ladder Fixation Kit

Thule Force XT

Versatile roof-mounted cargo box for everyday use



	THULE FORCE XT		
	S	M	L
Volume	300 L	400 L	450 L
Load capacity	75 kg	75 kg	75 kg
Weight	18.2 kg	20.2 kg	23.6 kg
Material	Aeroskin	Aeroskin	Aeroskin
Colour	Black	Black	Black
External dimensions LxWxH	139 x 89.5 x 39 cm	175 x 82 x 45.5 cm	190 x 84 x 46 cm
Internal dimensions LxWxH	127 x 78.5 x 34 cm	162.5 x 71 x 40.5 cm	177.5 x 73 x 41 cm

FEATURES

- Maximum space efficiency across a wide range of vehicle fits
- Easy to mount thanks to the PowerClick quick-mount system. The integrated torque indicator clicks when it's properly mounted, ensuring fast and secure fitting
- Comfortable to open and close thanks to the Lock Knob which also helps to prevent damage to the Thule Comfort Key
- DualSide opening provides easy access to all areas of the box, from every side of the vehicle
- NOTE: when mounted on load bars Thule ProBar Flex, use Thule T-track Adapter 697600. Manual can be found on www.thule.com on product page Thule T-track Adapter 697-6

635100	Thule Force XT - Small
635200	Thule Force XT - Medium
635700	Thule Force XT - Large

